



# SPORTS PARTNER® INTERNATIONAL

Sports Flooring and Equipments Producer

Sports Partner International  
Estrada dos Linhares, n.º 12 Alcolombal  
2705-858 Terrugem  
Sintra - Portugal  
Phone: +351 212433443  
Fax: +351 210173951  
E-mail: info@sportspartnerinternational.com  
Web: www.sportspartnerinternational.com

## HANDBALL / FUTSAL GOAL

## Technical Data Sheet



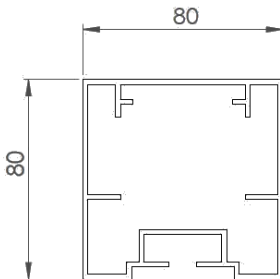
Reference: ANDE0001



Crumb Rubber, Safety Rubber Tiles, Sports & Playgrounds Safety Surfacing, Artificial Grass  
P.O. Box 3889 - Al-Rohob 31852 - Kingdom of Saudi Arabia  
Tel: +966-13-812 1919 - Fax: +966-13-812 1818  
Website: www.saudirubber.com - E-mail: sales@saudirubber.com

### Material:

- ✓ 80 mm Square reinforced aluminum profile used on the posts, goalpost and rear structure



Aluminum Properties	Values
Hardness	95
Tensile strength	276 MPa
Shear strength	207 MPa

- ✓ Rear structure made in round steel tube with 1" and 3/4".

Steel Properties	Values
Superior yield stress	$R_{eh} \geq 235 \text{ N/mm}^2$
Tensile strength	$R_m = 360-510 \text{ N/mm}^2$
Minimal extension	$A = 20\%$

### Surface treatment:

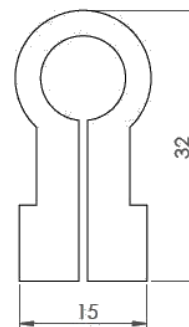
- ✓ Aluminum profiles lacquered to ensure long-lasting smooth visual appearance
- ✓ Rear structure treated with zinc coating

### Technical Characteristics:

- ✓ Ground fixation through 4 points on the rear structure

### Net Holders:

- ✓ Net holders in PVC, sturdy but malleable material
- ✓ Rounded corners to prevent injuries
- ✓ Profile locking system





# **SPORTS PARTNER<sup>®</sup>** **INTERNATIONAL**

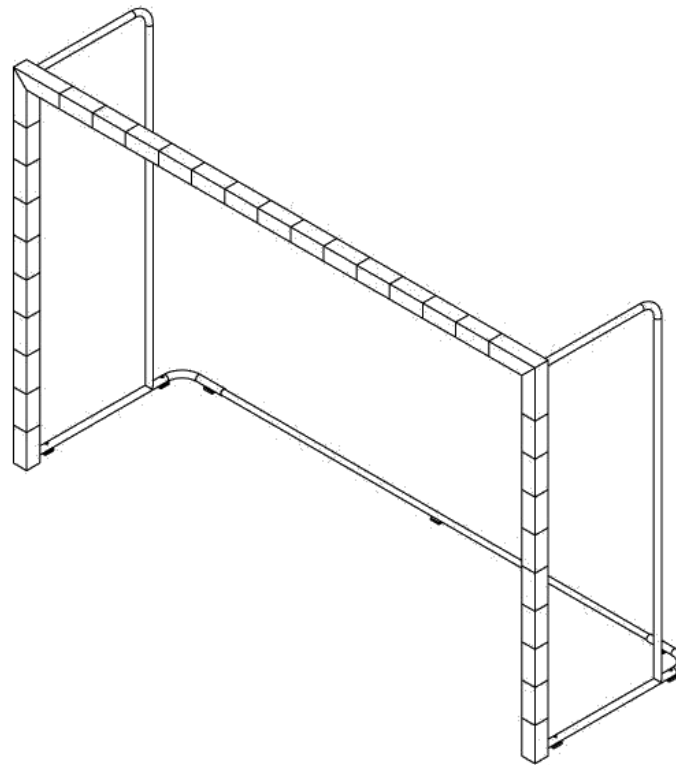
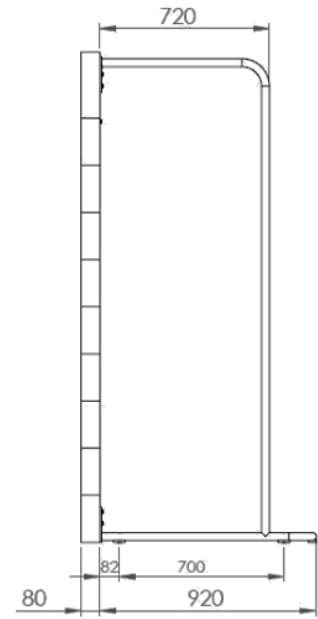
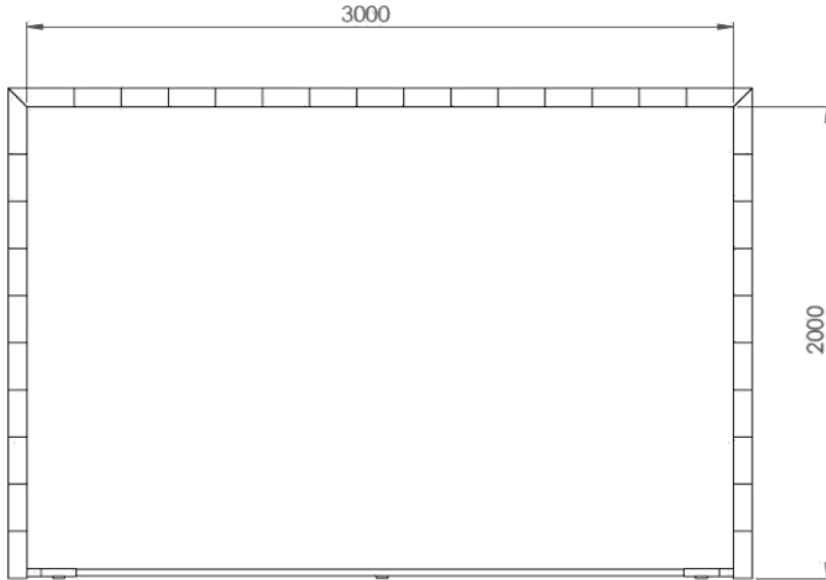
Sports Flooring and Equipments Producer

Sports Partner International  
Estrada dos Linhares, n.º 12 Alcolobal  
2705-858 Terrugem  
Sintra - Portugal  
Phone: +351 212433443  
Fax: +351 210173951  
E-mail: [info@sportspartnerinternational.com](mailto:info@sportspartnerinternational.com)  
Web: [www.sportspartnerinternational.com](http://www.sportspartnerinternational.com)

## HANDBALL / FUTSAL GOAL

## Technical Datasheet

Technical Drawings:



02/14 18/2014